

ViewBoard® 86" 4K Interactive Display

IFP8630



- UFT (Ultra Fine Touch) Technology
- myViewBoard® digital whiteboard software
- Dual-pen writing with 3mm/8mm diameter pen tips
- Ambient Light Sensor
- Wireless presentation across devices

The ViewBoard® IFP30 series embraces ultra fine touch technology to offer fine precision writing. It increases the writing accuracy with 2mm height sensitivity while allowing for dual-pen writing with both 3mm & 8mm diameter pens. It's also very responsive to distinguish the touch diameters among pens, fingers and palms to avoid false strokes. In addition, the IFP30 series is integrated with myViewBoard® whiteboarding software to provide more accommodative features such as to collaboration on the go; and it's further complimented by native casting including Miracast, Airplay, and Chromecast; as well as the front I/O ports including HDMI, Touch USB, and USB for easy access. Interactive whiteboards are becoming commonplace. The IFP30 series is the solution for schools and workplaces of all sizes and considerations.

Ultra Fine Touch Technology

It provides fine precision writing with a 3mm diameter pen tip



3mm
diameter pen

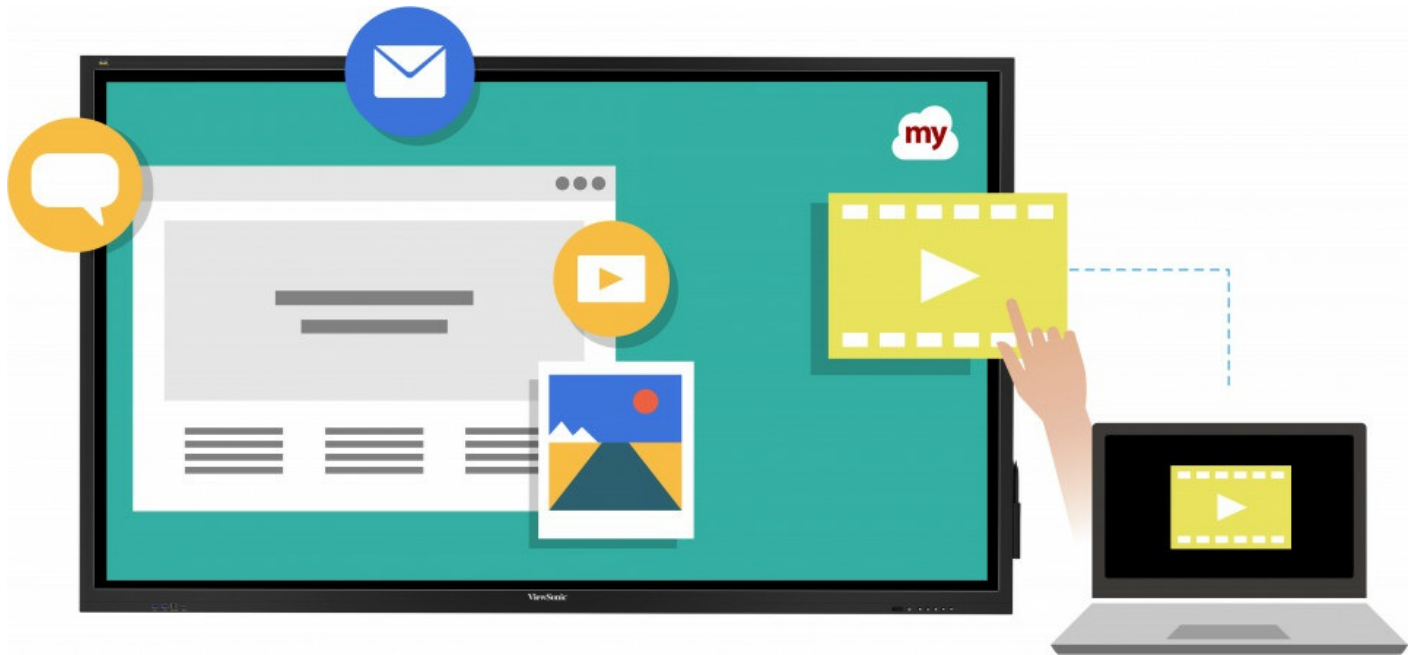
Dual-Pen

Automatically detect pen diameter (8mm & 3mm) and write simultaneously with different colors and thicknesses



Full Native Performance on Android

Built-in myViewBoard® whiteboarding software to collaborate on the go



Wireless Content Sharing

Content sharing with built-in ViewBoard® Cast software



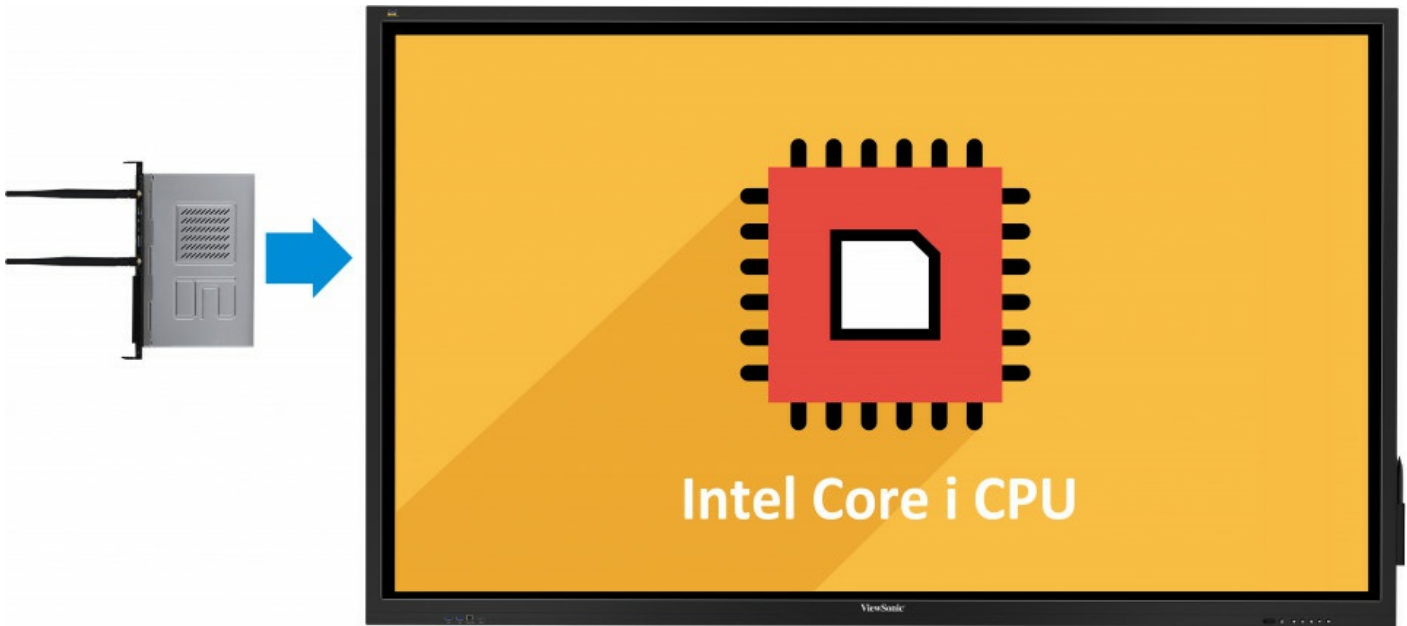
Ambient Light Sensor

Automatically adjust the brightness to relieve eye strain

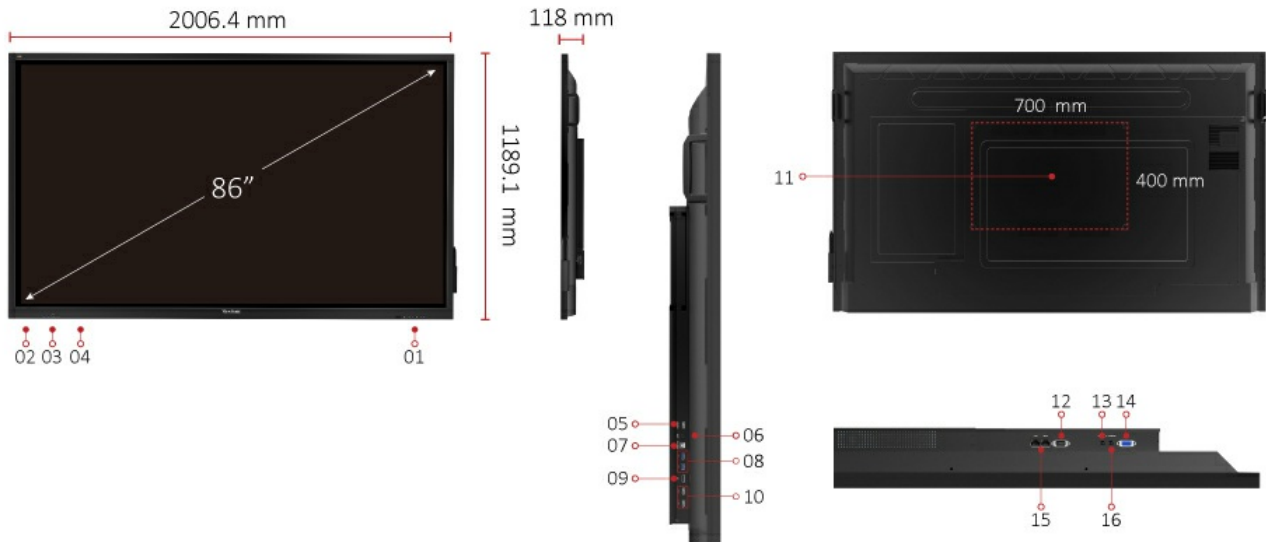


Slot-in PC

Intel OPS PC allows for efficient deployment and easy maintenance (Optional)



I/O Ports



1. CONTROL PANEL
2. USB X 2
3. TOUCH USB
4. HDMI IN
5. HDMI OUT
6. SPDIF OUT
7. TOUCH USB
8. USB X 2
9. DISPLAY PORT IN
10. HDMI IN X 2
11. VESA® Wall Mount (700 x 400 mm)
12. RS232 IN
13. AUDIO OUT
14. VGA IN
15. LAN X 2
16. PC AUDIO IN

Technical Specifications

Display	Panel Size	86"
	Type/Tech	TFT LCD module with DLED backlight
	Display Area (mm)	1895.04*1065.94mm
	Aspect Ratio	16:9
	Native Resolution	4K60hz
	Colors	10 bits
	Brightness	400(Typ.)
	Contrast Ratio	1200:1
	Response Time	8ms(Tyoe)
	Viewing Angles	H = 178, V = 178 typ.
	Backlight Life	30,000hr(min)
	Surface Treatment	Hardness: 7H, Costing: AG coating

	Bezel	Slim
	Orientation	Landscape
Platform	Processor	Cortex-A73*2 + Cortex-A53*2 1.5Hz
	RAM	3GB DDR4
	Storage	16GB
Touch	Type/ Tech	IR Recognition
	Touch Resolution	32767W*32767D
	Touch Point	20 points , 5 writing
INPUT	HDMI	Front*1, Rear* 2, All ports HDMI2.0
	RGB / VGA	1
	DisplayPort	DP1.2*1
	Audio	PC audio in (3.5 mm)*1
	RS232	x1
	OPS	1
OUTPUT	HDMI	x1, up to 4K60hz
	Audio	3.5mm Earphone Out *1, SPDIF*1
	SPDIF	1(optical)
LAN	RJ45	*2, 10M/100M
USB	Type A	USB2.0 *4 (Front:*2 Rear: *2), USB3.0:N/A
	Type B	For touch (Front*1, rear*1))
SPEAKERS	SPEAKERS	15WX2
Top Camera Plate		yes
COMPATIBILITY	RGB PC/HDMI PC	VGA: 1080p, HDMI: 4K
	HDMI	3840x2160
	DisplayPort	3840x2160
Embedded OS	Embedded OS	Android 8.0
Bundle Software	Basic Annotation Software	myViewBoard for Android
	Pro Annotation Software	myViewBoard for Windows (embedded in VPC12)
	Wireless Presentation with Touch Feedback: Viewboard Cast	Yes
	ViewSonic Launcher	Embedded
Special Features	All-in-one USB port (combine Windows/Android USB port; no need to distinguish them anymore)	Front "SmartPort USB" to all channels.
	Simple LAN sharing between IFP and slot-in device	10M/100M share to OPS
Power	Voltage	PB model: , 100-240VAC +/- 10% Wide Range
ERGONOMICS	Wall Mount (VESA®)	400*700
OPERATING CONDITIONS	Temperature (° C)	0°C to 40°C
	Humidity	20% ~ 80% RH Non-Condensing(working)
DIMENSIONS (W x H x D)	Physical (inch / mm)	2006.4*1189.1*118(mm), 79*46.8*4.7(inch)
	Packaging (inch / mm)	2140*1340*280(mm), 84.3*52.8*11(inch)
WEIGHT	Net (lb / kg)	176lb / 79.8kg
	Gross (lb / kg)	219.4lb / 99.5kg
REGULATIONS	REGULATIONS	EMC/CE-EU
ProAV certificate	Crestron	On-going

readiness	Extron	On-going
	AMX	Self-certificate
PACKAGE CONTENTS	PACKAGE CONTENTS	<ol style="list-style-type: none"> 1. US/EU/UK/AU power cord 3M, no PE bag 2. QSG 3. Compliance statement 4. HDMI cable 3M*1 5. Touch USB cable 3M *1 6. Touch PEN *2. Extra tip: Thick*2, thin*1 7. Remote control with AAA batteries (VS version) 8. Webcam plate with screws pack <ol style="list-style-type: none"> a. Need to compatible with Logi CC4000e) b. Add screw holes on top of the frame 9. Pen tray*1 (two pen, detachable, mount for both side) 10. Wall mount screws
Compatible Slot-in PC	Compatible Slot-in PC	VPC12 series